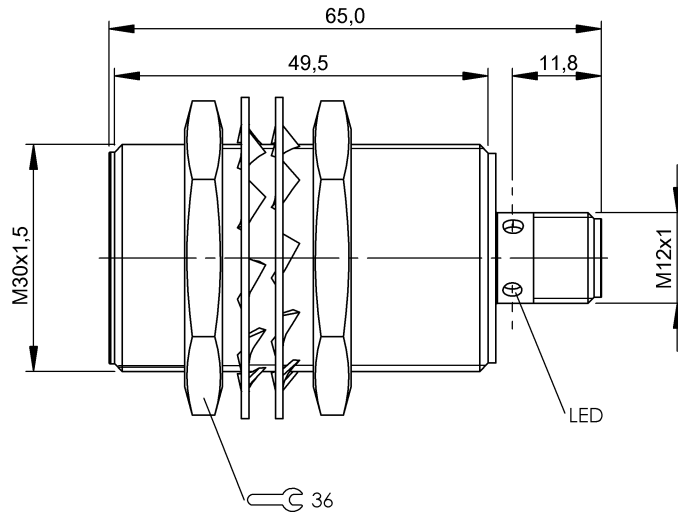


**BES M30MI-PSC15B-S04G-008**  
**Ordering code: BES046Y**

**M30x65 mm**  
**GlobalProx**

**DC, direct current**  
**PNP/Normally open (NO)**  
**Sn = 15 mm**  
**Flush (shielded)**

**BALLUFF**  
*sensors worldwide*



**Characteristic data**

Eff. switching distance Sr	15,00 mm
Tolerance Sr	±10 %
Assured operating distance Sa	12,20 mm
Hysteresis H max. (in % of Sr)	15 %
Repeat accur. R max. (% of Sr)	5 %
Ambient temperature	-25...70 °C
Temp. drift max. (% of Sr)	10%
Switching freq. f max.	100 Hz
Ready delay tv max.	15 ms
Utilisation category	DC 13
Function indicator	Yes
Power-on indicator	No
Short-circuit protected	Yes
Degree of protection as per IEC 60529	IP67
Protection class	II
Protected against polarity reversal	Yes
Protected against reverse connection	Yes

**Electrical data**

Operating voltage	
Rated operating voltage Ue DC	24,0 V
Ripple max. (% of Ue)	15 %
Voltage drop static max.	2,5 V
Rated insulation voltage Ui	250 AC V
Effective operating current Ie	200 mA
No-load current Io damped	10 mA

No-load current Io undamped	5 mA
Off-state current Ir max.	10 µA
Minimum operating current Im	0 mA
Rated short circuit current	100 A
Output resistance Ra	33.0k + D
Load capacitance max. (at Ue)	0,5 µF

**Mechanical data**

Housing material	CuZn
Surface protection	Nickel-free coating
Sensing surface material	PA 12
Tightening torque max.	70 Nm
Mounting length	50 mm
Connection type	Connector
Connector type	M12x1-S04
Shock rating	Shock, half-sinus, 30 gn, 11ms
Vibration rating	55 Hz, 1 mm ampl., 3x30 min
Degree of contamination	3

**Basic data**

Basic standard	IEC 60947-5-2
----------------	---------------

**Remarks**

The sensor is functional again after the overload has been eliminated.  
 Embeddable: See installation notes for inductive sensors with extended switching distance 825357.  
 With connector, e.g. BKS-S 20-... total length = switch length +18 mm.



Definitions see main catalog

subject to change

**BES M30MI-PSC15B-S04G-008**  
Ordering code: **BES046Y**

M30x65 mm  
GlobalProx

DC, direct current  
PNP/Normally open (NO)  
Sn = 15 mm  
Flush (shielded)

**BALLUFF**  
*sensors worldwide*

